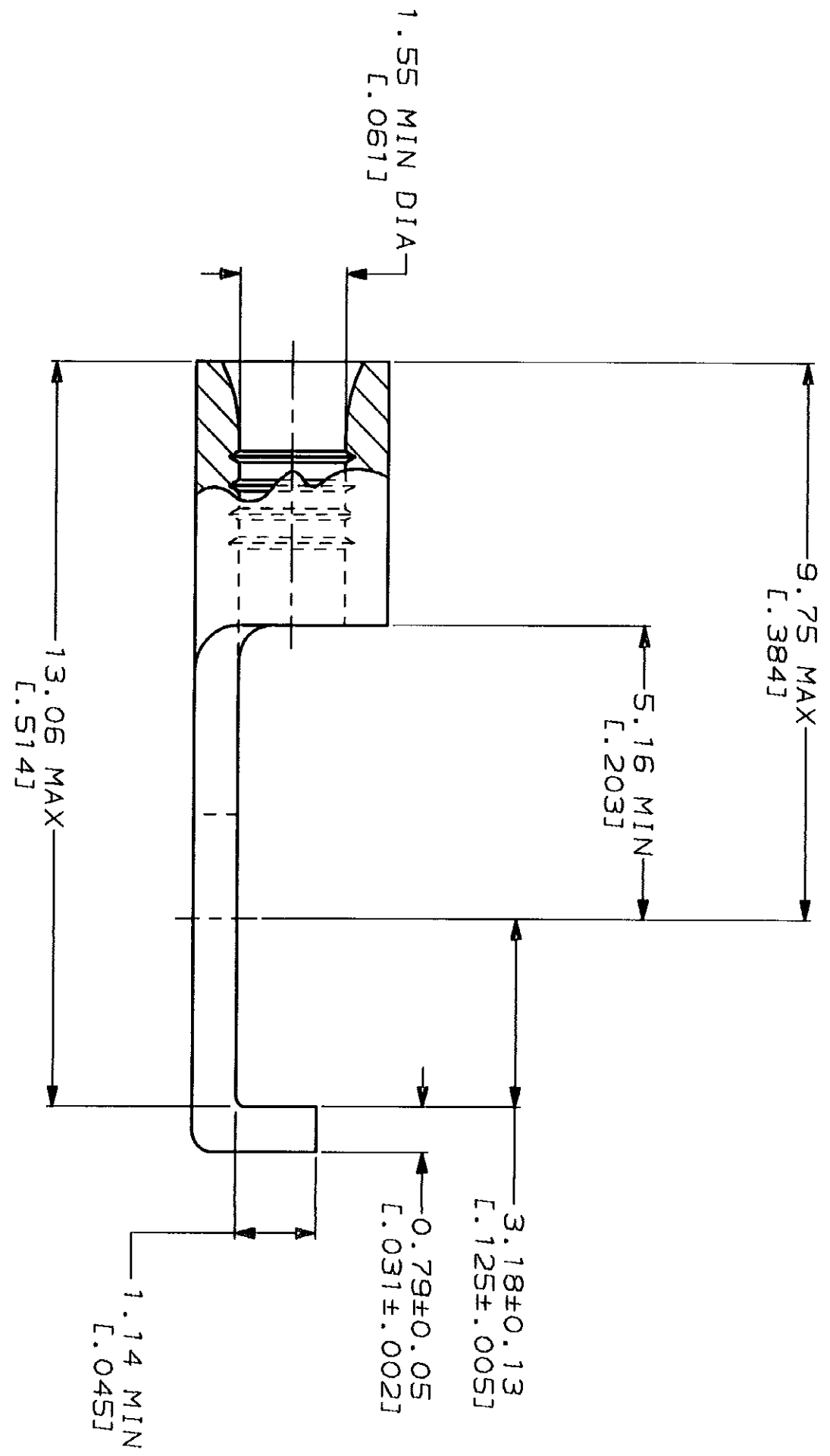
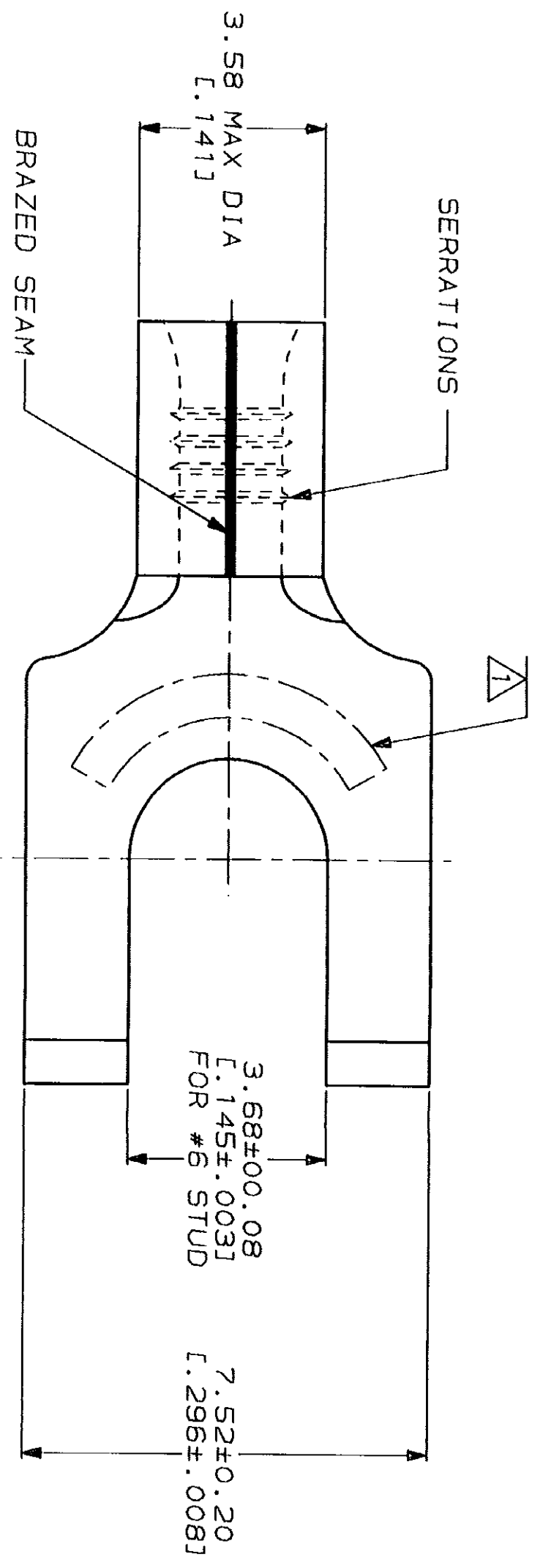
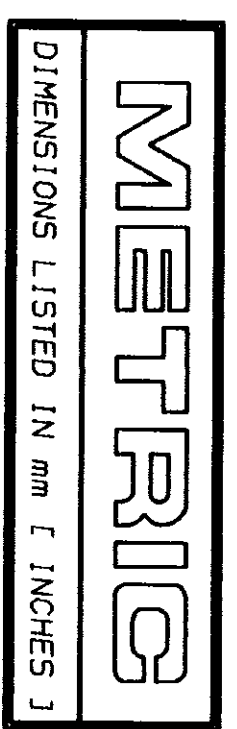


LOC	DIST	REV	DATE	APP'D
G	14	F	4-8-93	18 DAP
REVISIONS				
REV. RDRW, & SM PKG PER 0720-0040-93		DESCRIPTION		
22-16 AWG SOLID OR STRANDED				



<b>AMP</b> WIRE RANGE	<b>UL</b> E13288 Listed
22-16 AWG SOLID OR STRANDED	22-16 AWG SOLID OR STRANDED
<b>LR2189</b> Certified	MILITARY P/N AND CLASS
22-16 AWG SOLID OR STRANDED	NOT APPLICABLE

△ STAMP AMP 22-18\* APPROX AS SHOWN  
 22-16 TERMINALS ARE STAMPED 22-18 IN  
 ACCORDANCE WITH MILITARY SPECIFICATION  
 MIL-T-7928; COMMERCIAL WIRE RANGE IS 22-16

100	LOOSE PIECE BOX	8-320749-1
5000	ON TAPE	2-320749-2
---	LOOSE PIECE	320749

**AMP INCORPORATED**  
**CUSTOMER SERVICE SYSTEMS**

FOR ADDITIONAL  
 PRODUCT INFORMATION OR  
 COPIES OF DRAWINGS  
 AND TECHNICAL DOCUMENTS  
 1-800-522-6752

FOR APPLICATION  
 TOOLING INFORMATION  
 1-800-722-1111

FOR ORDER ENTRY  
 1-800-526-5142

PRODUCT INFORMATION CENTER  
 1-800-522-6752

TOOLING ASSISTANCE CENTER  
 1-800-722-1111

MAX RECOMMENDED OPERATING  
 TEMPERATURE: 170°C MAX

VOLTAGE RATING:  
 NOT APPLICABLE

WIRE CROSS SECTIONAL AREA RANGE:  
 0.26-1.65mm<sup>2</sup> [509-3,260] CIR MILS  
 SOLID OR STRANDED

FINISH: TIN PLATE  
 0.00254 [L.000100] MIN  
 THK PER MIL-T-10727

DO NOT SCALE PRINT.  
 UNLESS SPECIFIED  
 DIMENSIONS IN mm [ INCHES ]  
 TOLERANCES ON:  
 1. DIMENSIONS ± .15 [ .006 ]  
 2. PLG DEC ± .05 [ .002 ]  
 3. PLG DEC ± .05 [ .002 ]  
 ANGLES ± .5°

MATERIAL:  
 COPPER PER  
 ASTM B-152  
 ANNEALED

DR 4-8-93  
 TA BRINKMAN

CHK 4-8-93  
 DA PATTERSON

APPD 4-8-93  
 DE MILLER

APPD 4-8-93  
 JL MECKLEY

PRODUCT SPEC

APPLICATION SPEC

WEIGHT

AMP Incorporated  
 Harrisburg, PA 17105-3608

TERMINAL, FLANGED  
 SPADE, SOLI STRAND™

SIZE CAGE CODE DRAWING NO  
 00779 ©=320749

SCALE 10:1 SHEET 1 OF 1